



**City of**  
**Miramar**

Community Development - Building Division

2200 Civic Center Place

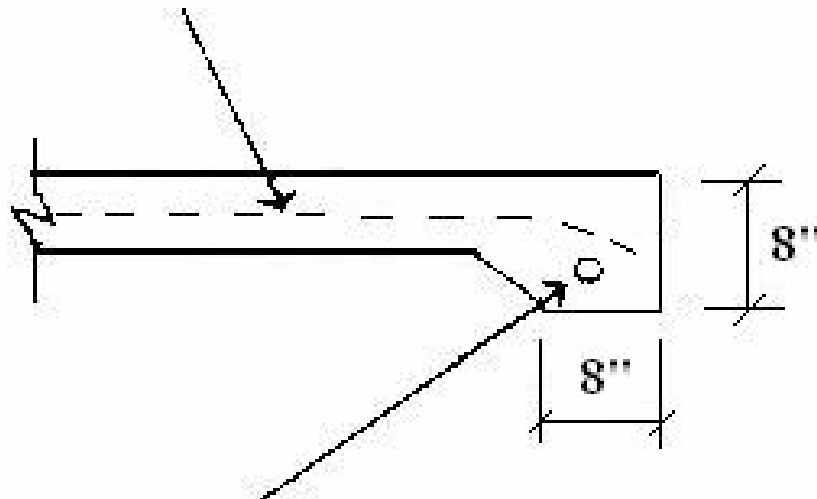
Miramar, Florida 33025

Tel: (954) 602-3200 Fax: (954) 602-3635

<http://www.ci.miramar.fl.us>

## TYPICAL FOOTING & SLAB DETAIL

4" CONCRETE SLAB  
W / 6x6 #10 WIRE MESH



1 #5 REBAR

**FOOTING & SLAB**  
**SLAB PATIO, UTILITY SHED**